

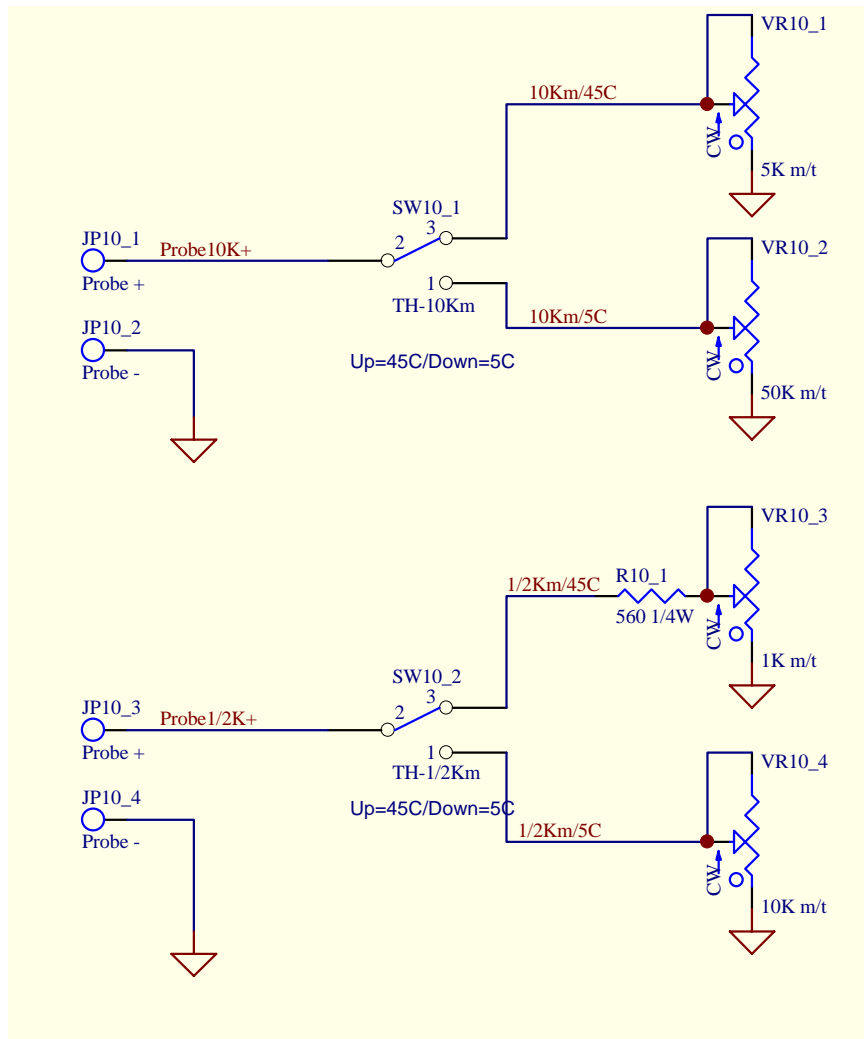
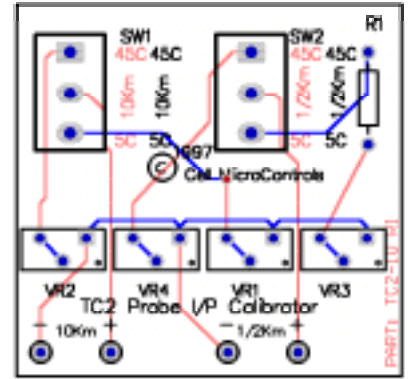
Instructions

Introduction

The enclosed PCB can be used to easily calibrate the probe inputs on the **TC2BIP** Bipolar Temperature Controller. Refer to the circuit diagram for components. The components required are (parts available from Mouser Electronics 800-346-6873)

- 2 SPDT PCB mount switches (Mouser 10TC430).
- 1 1K vert multiturn trimpot (Mouser 594-64Y102 [Bourns 3296Y-102])
- 1 5K vert multiturn trimpot (Mouser 594-64Y502 [Bourns 3296Y-502])
- 1 10K vert multiturn trimpot (Mouser 594-64Y503 [Bourns 3296Y-103])
- 1 50K vert multiturn trimpot (Mouser 594-64Y503 [Bourns 3296Y-503])
- 1 560ohm 1% 1/4watt resistor (Mouser 271-560)

The trimpots should have the pads arranged in a triangle (see right) with adjustment on top. The 10Km and 1/2Km terminals can go to a BNC cable to connect directly to the probe input or a 6mm male plug can be used so that the calibrator mimics a thermistor probe.



TC2BIP Probe input calibrator